

ISDN U-INTERFACE TRANSFORMERS

For Applications with 2B1Q and 4B3T Coding



- Matched to leading transceiver ICs
- Parts meet ANSI T1.601-1992 and ETSI ETR 080
- Transformer models with 2000 Vrms to 3000 Vrms minimum isolation
- Recognized to UL1459 and UL1950
- BAPT certified to EN60950

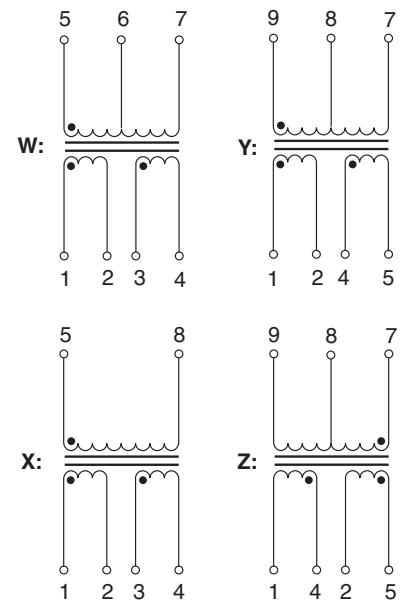
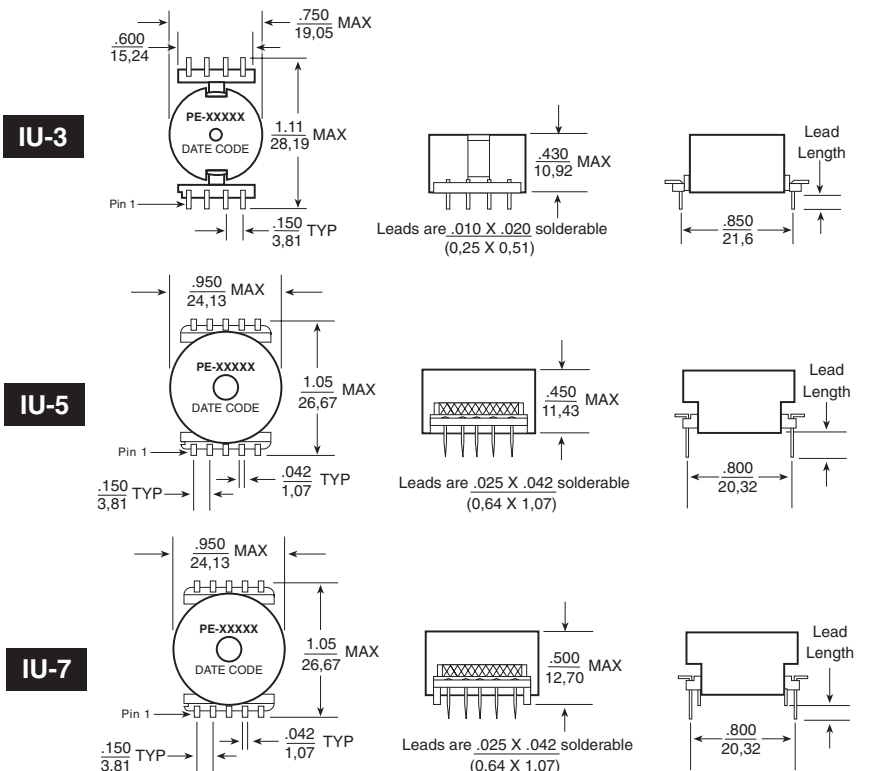
Electrical Specifications @ 25°C — Operating Temperature 0°C to 70°C

Isolation Voltage (Vrms MIN)	Part Number	Turns Ratio Line:Chip (±3%)	Line Side Pins	OCL Line side (mH)	DCR Line Side (Ω)	DCR Chip Side (Ω)	IDC (mA)	Lead Length	Package/Schematic
2000 Vrms	PE-65575*	1.65:1	(1-4)	13.0-18.0	5.2 ±15%	3.0 ±15%	50	0.15 ± 0.03 (3,81 ± 0,76)	IU-3/W ⁴
	PE-65578	1.32:1	(1-4)	7.0-8.3	2.4 MAX	2.7 MAX	55	0.15 ± 0.03 (3,81 ± 0,76)	IU-3/X
	PE-65579	2.00:1	(1-5)	25.5-28.5	11.6 MAX	6.4 MAX	60	0.17 ± 0.04 (4,32 ± 1,02)	IU-5/Y
	PE-65581	1.50:1	(4-2)	14.2-15.8	16.0 MAX	2.5 MAX	60	0.17 ± 0.04 (4,32 ± 1,02)	IU-5/Z
	PE-65583	1.50:1	(4-2)	25.6-29.0	20.0 MAX	3.0 MAX	60	0.16 ± 0.03 (4,06 ± 0,76)	IU-5/Z ²
	PE-65584	1.50:1	(1-5)	25.6-29.0	20.0 MAX	3.0 MAX	60	0.17 ± 0.04 (4,32 ± 1,02)	IU-5/Y ²
2500 Vrms	PE-68628*	1.25:1	(1-5)	26.5-29.5	12.0 MAX	7.0 MAX	80	0.16 ± 0.03 (4,06 ± 0,76)	IU-5/Y ²
	PE-68631	1.50:1	(4-2)	25.6-29.0	20.0 MAX	3.0 MAX	60	0.13 ± 0.03 (3,30 ± 0,76)	IU-7/Z ²
	PE-68681	1.50:1	(1-5)	25.6-28.4	20.0 MAX	3.0 MAX	60	0.13 ± 0.03 (3,30 ± 0,76)	IU-7/Y ²
3000 Vrms	PE-68668*	1.25:1	(1-5)	26.5-29.5	13.0 MAX	7.5 MAX	80	0.13 ± 0.03 (3,30 ± 0,76)	IU-7/Y ²
3000 Vrms	PE-68669*	1.65:1	(1-4)	13.0-18.0	5.2 ±15%	3.0 ±15%	50	0.13 ± 0.03 (3,30 ± 0,76)	IU-3/W

NOTE: For surface mount versions of these parts, please see data sheet T614. New small surface mount package available. Contact Pulse Application Engineering at (619) 674-8100 for more information. *Operating temperature range: -40°C to 85°C.

Mechanicals

Schematics



Dimensions: Inches
mm
Unless otherwise specified,
all tolerances are ± .010
0,25

ISDN U-INTERFACE TRANSFORMERS

For Applications with 2B1Q and 4B3T Coding



Additional Specifications

Return Loss (2B1Q) (10 and 25 KHz)	Longitudinal Balance (2B1Q)		Longitudinal Balance (4B3T)		Surge Voltage Resistability (ALL)	
20 dB MIN	281 Hz to 40 KHz	55 dB MIN	5 KHz	20 dB MIN	Metallic @ 800 V Peak	10/700 µsec
—	Above 40 KHz	-20 dB/decade	20 KHz-150 KHz	40 dB MIN	Long. @ 2400 V Peak	10/560 µsec
—	—	—	1 MHz	36 dB MIN	—	—

Transformer Selection

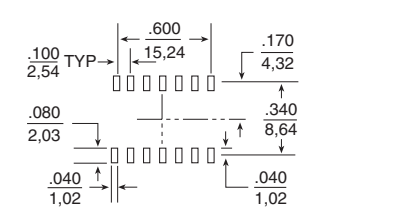
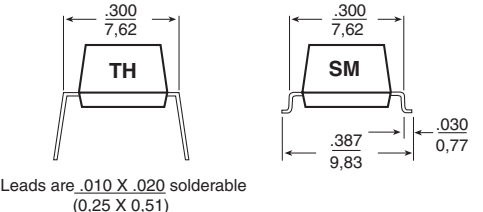
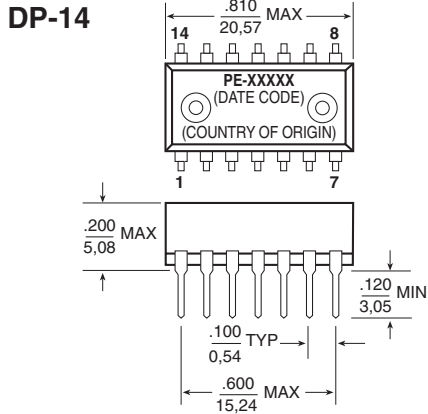
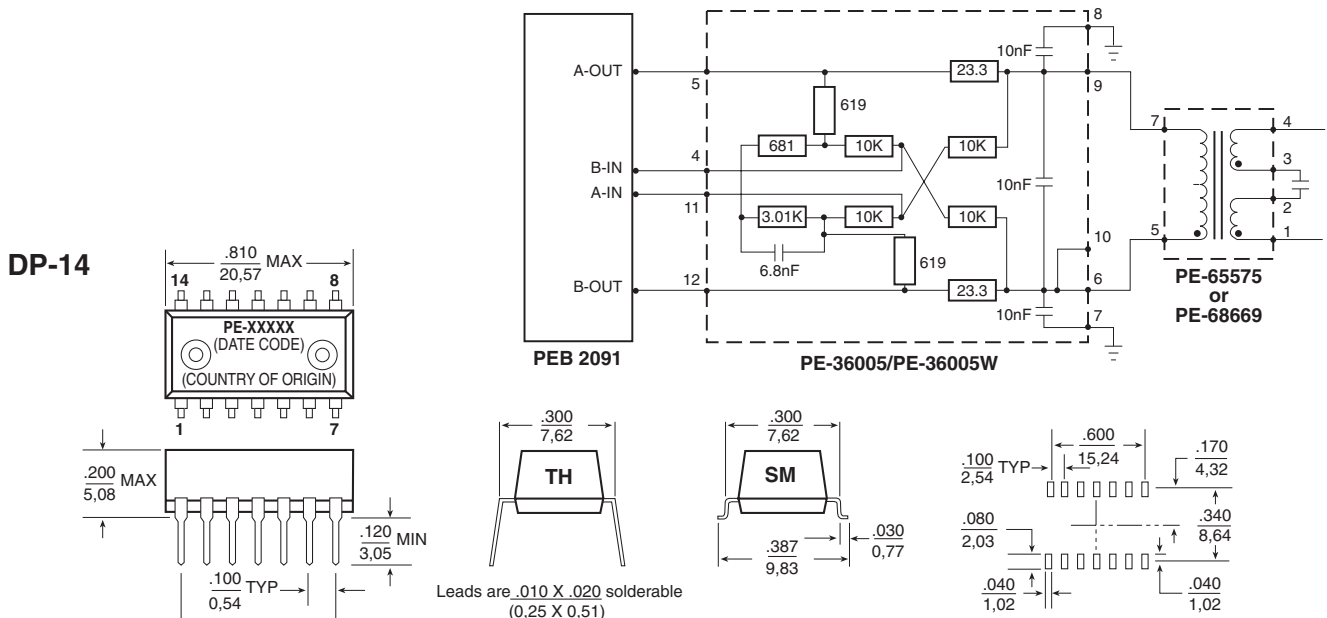
Company	Chip	Coding	Transformer 2000 Vrms Isolation	Transformer High Isolation Models	Echo Cancellation Hybrid
Motorola	MC145472	2B1Q	PE-65579	—	—
Motorola	MC145572	2B1Q	PE-68628	PE-68668	—
National	TP 3410	2B1Q	PE-65583 ⁽¹⁾	PE-68631	—
			PE-65584 ⁽¹⁾	PE-68681	—
Siemens	PEB 2091	2B1Q	PE-65575 ⁽⁴⁾	PE-68669	PE-36005 or PE-36005W
Siemens	PEB 2090 PEB 20901	4B3T	PE-65578	—	—
Thomson	SD 5411	2B1Q	PE-65581	—	—

Echo Cancellation Hybrids

PE-36005	Through Hole	THT	DP-14/TH
PE-36005W	Surface Mount	SMT	DP-14/SM

- Notes:**
- PE-65583 and PE-65584 are electrically identical, but have different schematics.
 - Pin 6 removed for keying to printed circuit board.
 - Common Mode Chokes for EMI reduction are also available. Recommended part numbers are either PE-68624 (surface mount) or PE-65944 (through hole) – see data sheet **G002**.
 - Additional model PE-65585, equivalent to PE-65575, has standoffs. Maximum height is .475 (12,07).

Typical Application Circuit for Transformer and Echo Cancellation Hybrid



Dimensions: Inches
mm

Unless otherwise specified all tolerances are $\pm .010$
 $0,25$

SUGGESTED SM LAYOUT

	DP-14TH	DP-14SM
Weight1.5 grams	.1.5 grams
Tube25/tube	.25/tube

For More Information :

UNITED STATES (Worldwide)	UNITED KINGDOM (Northern Europe)	FRANCE (Southern Europe)	SINGAPORE (Southern Asia)	TAIWAN, R.O.C. (Northern Asia)	HONG KONG (China/Hong Kong)	DISTRIBUTOR
12220 World Trade Drive San Diego, CA 92128 U.S.A. http://www.pulseeng.com TEL: 858 674 8100 FAX: 858 674 8262	3 Huxley Road Surrey Research Park Guildford, Surrey GU2 5RE United Kingdom TEL: 44 1483 401700 FAX: 44 1483 401701	Zone Industrielle F-39270 Orgelet France TEL: 33 3 84 35 04 04 FAX: 33 3 84 25 46 41	150 Kampong Ampat #07-01/02 KA Centre Singapore 368324 TEL: 65 6287 8998 FAX: 65 6280 0080	3F-4, No. 81, Sec. 1 HsinTai Wu Road Hsi-Chih, Taipei Hsien Taiwan, R.O.C. Tel: 886 2 2698 0228 FAX: 886 2 2698 0948	Unit 11, 11/F Wah Lai Industrial Centre 10-14 Kwei Tei Street, Fotan, Shatin, Hong Kong TEL: 852 2788 6588 FAX: 852 2776 1055	

Performance warranty of products offered on this data sheet is limited to the parameters specified. Data is subject to change without notice. Other brand and product names mentioned herein may be products and/or registered trademarks of their respective owners.
© Copyright, 2005. Pulse Engineering, Inc. All right reserved.